

INSTALLATION AND OPERATING INSTRUCTIONS  
INSTALLATION UND GEBRAUCHSANWEISUNG

# Cristalys Date

## MOBALINE



Réf.: 605873 C

When receiving goods please check nothing is broken otherwise make a claim near shipping company.

Bitte, vergewissern Sie sich am Empfang der Waren, daß diese keine Schaden erlitten.


## Table of contents

<b>ENGLISH.</b> . . . . .	<b>3</b>
I - INITIAL VERIFICATION . . . . .	3
1.1 Unpacking the clock . . . . .	3
1.2 Cleaning . . . . .	3
1.3 Backup. . . . .	3
II - INTRODUCTION TO THE <i>CRISTALYS</i> CLOCK. . . . .	4
III - SETTING IN OPERATION - INSTALLATION . . . . .	5
3.2 Installation . . . . .	6
IV - TIME SETTING MENU . . . . .	7
V - CONFIGURATION MENU . . . . .	9
Configuration menu . . . . .	11
VI - PRINCIPLE OF TIME SETTING . . . . .	18
6.2 Annex for time difference . . . . .	19
VII - TECHNICIAN MENU . . . . .	20
VIII - WHAT TO DO IF...? ...CHECK. . . . .	22
IX - TECHNICAL FEATURES . . . . .	23
<b>DEUTSCH . . . . .</b>	<b>25</b>

## I - INITIAL VERIFICATION

Thank you for choosing a Cristalys clock.

We advise you to read this manual thoroughly before attempting to manipulate the clock.

These  indicate important comments.

Keep this booklet during all the life of your clock, so that you can refer to it each time it is necessary.

### 1.1 Unpacking the clock

Unpack with caution and check the contents of the packaging. It must contain :

- The Cristalys date clock clipped on to its wall holder,
- A fixation kit (2 screws + 2 rawlplugs),
- A cleaning kit (impregnated antistatic cloth)
- This booklet,
- with option, a table holder.

**Remark** : when unpacking, some segments of the clock can be activated. This is not a default.

**The manufacturer accepts no responsibility for any use not in compliance with these instructions.**

**Any modification to the product will invalidate the warrantee.**

### 1.2 Cleaning

Use an antistatic product of similar type to the one shipped in the original packaging. Never use alcohol, acetone or any other solvent liable to damage the casing and filter on your World clock.

### 1.3 Backup

All the parameters for the clock are saved permanently.

## II - INTRODUCTION TO THE *CRISTALYS* CLOCK

The Cristalys Date clock is a calendar clock for indoor use.

It displays the hours (in 12 hr or 24 hr mode), minutes and date. It automatically manages summer-winter time changeovers.

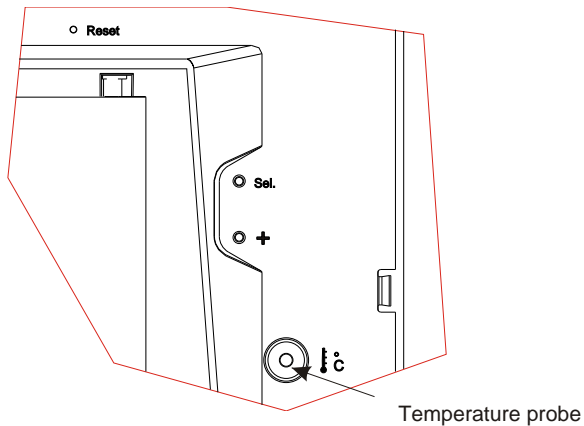
An ECO function enables the display to be switched off at night between 11.00pm and 06.00am.

It has three menus for making adjustments :

- the **time setting menu** ;
- the **configuration menu** ;
- the **technician menu**, which is reserved for maintenance personnel .

Adjustments can be made using the two push buttons [SEL] and [+] located on the back of the clock.

Diag. 1



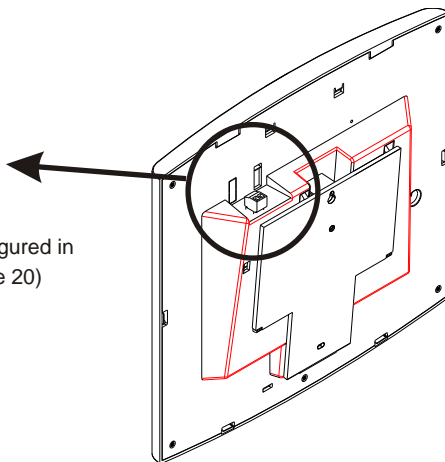
### III - SETTING IN OPERATION - INSTALLATION

#### 3.1 Link-up to a Mobaline distribution network

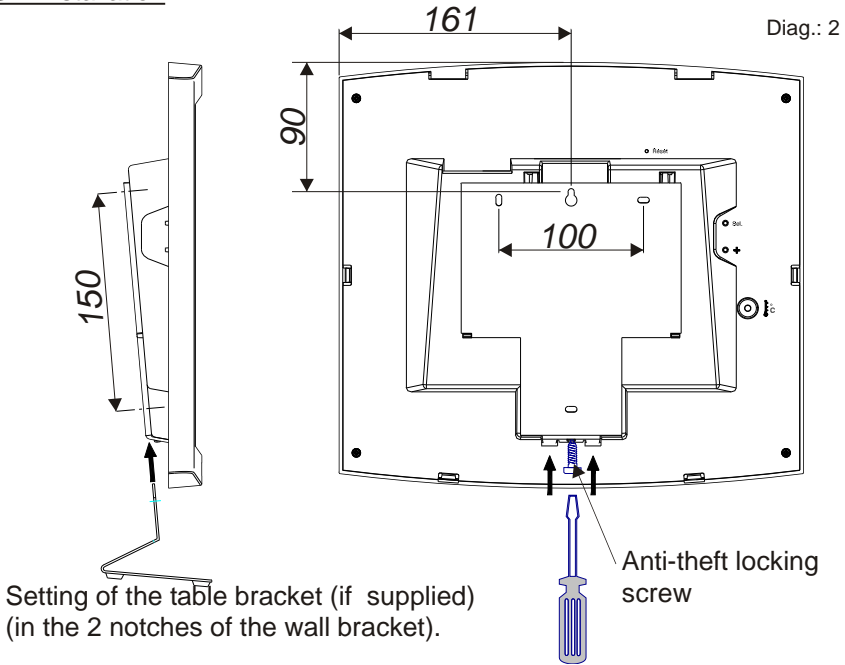
The Cristalys clocks Mobaline are synchronised by the Mobaline signal.



Time distribution type has to be configured in the technician menu (see "sync" page 20)



### 3.2 Installation



- Fit the wall bracket using the plugs and screws supplied.
- Clip the clock in place on the bracket and secure with the anti-theft locking screw provided (see Diag.2).
- Remove the protective sheet from the front panel and use the anti-static cloth to clean the clock.

#### **Mounting on vertical bracket or ceiling bracket :**

- Cristalys clocks can be installed on various types of brackets (ref. 938901, 938907 and 938908). See the installation manual delivered with the bracket.

## IV - TIME SETTING MENU

### 4.1 Mobaline synchronised clock

After the clock has been connected to the Mobaline, the screen remains blank during 8-10 seconds before displaying 0h00. The radio pictogram flashes every seconds.

The time on the slave clock Cristalys Mobaline will be set automatically over a period of 4-5 minutes and the radio pictogram is fixed.

After a reset, a time setting or change in configuration, the clock searches until it get synchronised.

Remark : See the chapter "Technician Menu" page 20 to parameter to time distribution.

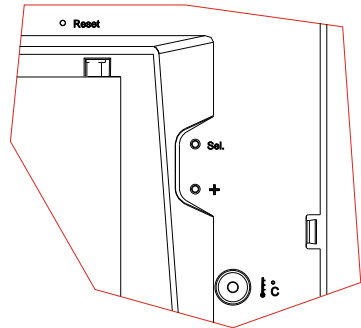
### 4.2 Time and date setting in independent mode

The [SEL] button enables you to shift between the different menus and the [+] button enables you to scroll through the setting values.

Each time [SEL] is pressed, the option that is flashing is validated.

To set the clock to the correct time, proceed as follows :

1. a On installing the batteries or on the initial powering up, the time is initialised at 00h00 01/01/2000. Press [SEL] for 2 seconds : the hour flashes.
  - b Press [+] until the required hour is shown (the display of hours takes account of the 12 /24 hr mode, see paragraph 5 page 11).
2. a Validate the hour by pressing [SEL] : the minutes flash.
  - b Press [+] until the required minute is displayed. To synchronise your clock to the nearest second, select the current minute +1 and as the minute pips, validate by pressing [SEL] ;  
The internal second counter is then reset to zero and starts up.
3. a Having validated the minutes : the year flashes.



(1) Maintaining pressure on the [+] button for longer enables you to increase the values rapidly (minutes, hours, days, etc).

b Press [+] until the current year is displayed.

4. a Validate the year by pressing [SEL] : the month flashes.

b Press [+] until the required month is displayed.

5. a Press [SEL] to validate the month : the day flashes.

b Press [+] until the chosen day is displayed (Scrolling of the days takes account of the month and year selected (leap years)).

6.a To conclude time setting, press the [SEL] button.



**Caution :** At any time by holding down [SEL] then :

pressing [+] quickly, will return you to normal display mode.

pressing [+] for longer (more than 3 seconds), will take you to the configuration menu.

If no buttons are pressed for a period of over 10 minutes, the clock automatically returns to normal time display mode.



## V - CONFIGURATION MENU

This mode enables you to select the different modes : 12 /24 hr, Eco, language selection, type of display, summer-winter time zone and time difference. With the different languages, there are no less than 4 million display possibilities offered by your calendar clock. We only give the simple functions below, but by combining them, you can find them all.

To programme your clock, select the display option below then go to the paragraph "Advanced Functions" page 11.



**Standard display on your clock.**

Hour  
Day of the week  
Date



**Time display in 12 hr AM/PM mode.**

Go into the configuration menu, point "2" (page 11).



**Changing the language.**

Go to the configuration menu, point "4" (page 11).



**Alternating display in 2 languages.**

Go into the configuration menu point "4" (page 11).

**Display of the central line :** To access these functions, go into the configuration menu, point "5"

(page 12).

**seconds**



**temperature** day of



the week



**day number**



**week n°**



### Alternating display between 2 functions on the second line



To alternate the display between 2 functions, go to point "4" (page 11).

A single alternating mode is possible, this is why you cannot display alternating information in 2 languages.

But the alternating display of functions is compatible with the options (date "DT", event "EV" or world "WO") for the language selected.

Select and validate the option (otherwise, select "- -").

Select and validate the following option alternating display "Alt".

### Display of the bottom line :

#### Digital display of the date.



Go into the configuration menu, point "4" (page 11).

Select and validate the first language, then select and validate the option "DT".

#### Countdown to an event.



Go into the configuration menu, point "4" (page 11).

Select and validate the first language, then select and validate the option "EV".

Select the date of this event (year, month, day).

Then select the display mode for this event.

Either fixed validating by FIX or alternated with the date validating by ALT or alternated with a programmed message validating by ALT PRG.



**N.B.** when the countdown is finished, the clock returns to displaying the date.

#### World Clock.



To display the name of a city as a fixture, go into the configuration menu, point "4" (page 11).

Select and validate the first language, then select and validate the option "WO".

Select and validate the city.

Then select the display mode fixed or alternated with the date.

## Configuration menu

1. To go to **Configuration mode**, press the [SEL] button and while holding it down press [+] for more than 3 seconds.

2. The 12/24 menu is displayed. Press [+] to choose between “12h” mode (display of AM/PM from 1 hr to 12 hrs) or “24 h” mode (display from 0,00 to 23.00 hrs). Press [SEL] to validate.



3. The Economy menu is displayed “Eco” or “nor”. Press [+] to choose normal “nor” or economy “Eco” mode. The latter mode switches off the display between 11pm and 06am (period not parameterisable), to enable savings of up to 20% on the battery charge. Press [SEL] to validate.



4. The Language display menu appears. This menu determines the information which will be displayed :

■ Display language, choice available :

- |                |               |                |
|----------------|---------------|----------------|
| • F French     | • NL Dutch    | • HG Hungarian |
| • GB English   | • DK Danish   | • RU Russian   |
| • D German     | • N Norwegian | • HR Croatian  |
| • SP Spanish   | • S Swedish   | • TR Turkish   |
| • I Italian    | • FI Finnish  | • CA Catalan   |
| • P Portuguese | • PL Polish   | • BA Basque    |

■ Then, after validation ; the choice between a second language for alternating display or :

- “--”, no second language.
- “DT”, display date in digital format (eg : 21-6-01).
- “WO” WORLD function, displays the name of a city as a fixture on the bottom line. 5 cities to choose from (Paris, London, Tokyo, New York, Sydney) or PRG mode to enter the name of a city or site (7 characters maximum).
- “EV”, displays the countdown in days before an event (eg : D-194 days before the Euro is adopted).

4.a The sub-menu *Language1* is displayed<sup>2</sup>.



(2)Reminder : At any time, by holding down [SEL] then pressing [+] quickly, it is possible to go to normal display mode and exit the configuration menu.

The display language flashes. Choose the language with [+] (table below) and validate with [SEL].

- 4.b The sub-menu *Language2* is displayed.  
Choose with [+] from the different options :

“--”, to validate the first language only,



Display of a second language alternating with the first language selected. Validate with [SEL].



“DT”, this option will display the date on the bottom line of your clock, validate with [SEL].



“WO” World function, this option displays the name of a city on the bottom line, validate with [SEL].



“EV”, display of a countdown to an event in days, validate and go to point 7 (page 16) to follow the programming.



- 5.a After validation, the sub-menu “centre info” appears :

This menu determines the information which will appear on the centre line. With [+] choose between :

Display of the day of the week :



Display of the day number :



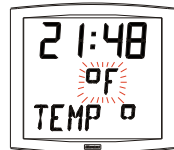
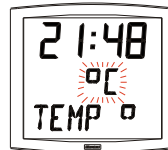
Display of the week number :



Display of the seconds :



Display of the temperature Celsius or Fahrenheit<sup>3</sup> (limited at 99°) :



Press [SEL] to validate.

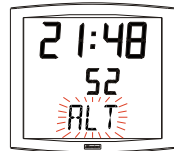
- 5.b The Display sub-menu appears : it enables you to obtain :

a fixed display, choose FIX with [+]



an alternating display, choose ALT with [+], alternating between the day of the week or the World function and the information selected above.

Press [SEL] to validate.



- 6.a The *Time mode* menu appears. This enables you to specify the geographic zone in which the clock is located (to automatically manage the summer/winter time changeovers) or to give a "time difference" in relation to UTC time.
- b Press [+] and choose your zone from the list available (eight predefined zones and one programmable).  
The change from summer to winter time = BDT<sup>4</sup> - 1 h.  
The change from winter to summer time = BDT + 1 h.

**Central Europe Zone** "mode\_eur" (France, Germany, etc.).

Winter to summer time = last Sunday in March at 1am UTC<sup>5</sup> (that is 2am local time).



(3) Fahrenheit temperature display is only available on special program version

(4) BDT = Time base

(5) UTC = Universal Time Code, corresponding to the Greenwich meridian

Summer to Winter time = last Sunday in October at 1am UTC (that is 3am local time).

**Western Europe Zone** "mode\_eu-1" (England, Portugal, Ireland).

Winter to summer time = last Sunday in March at 1am UTC (that is 1am local time).

Summer to Winter time = last Sunday in October at 1am UTC (that is 2am local time).



**Eastern Europe Zone** "mode\_east" (Greece, Finland, etc).

Winter to summer time = last Sunday in March at 1am UTC (that is 3am local time).

Summer to Winter time = last Sunday in October at 1am UTC (that is 4am local time).



**East USA Zone** "mode\_usae" (New York, Toronto, etc).

Winter to summer time = first Sunday in April at 2am local time.

Summer to Winter time = last Sunday in October at 2am local time.



**Central USA Zone** "mode\_usac" (Chicago).

Winter to summer time = first Sunday in April at 2am local time.

Summer to Winter time = last Sunday in October at 2am local time.



**Mountain USA Zone** "mode\_usam" (Denver).

Winter to summer time = first Sunday in April at 2am local time.

Summer to Winter time = last Sunday in October at 2am local time.



**Pacific USA Zone** "mode\_usap" (Los Angeles).

Winter to summer time = first Sunday in April at 2am local time.

Summer to Winter time = last Sunday in October at 2am local time.



**Australia Zone** "mode\_aus" (Sydney).

Winter to summer time = last Sunday in October at 2am local time.

Summer to Winter time = last Sunday in March at 3am local time.



**Without seasonal change** "mode\_gmt".

No summer/winter changeover.

The GMT function imposes an offset between the time received in coded time and the time displayed.

Validate this option with the [SEL] button.

### Setting the offset in GMT mode.

The offset can be adjusted by pressing [+]. The value to be chosen is between -12 h 30 and +12 h 30 by increments of 0 h 30.

The time displayed = GMT + or - x hours.

A independent clock in GMT zone = no seasonal changeover.

A independent clock in xx zone = seasonal changeover according to the zone.

### Seasonal change programmable on

 "mode\_prg"

This menu enables you to programme the dates of summer/winter time changeovers. It allows you to determine the start of the summer period (points 1 to 3) then the start of the winter period (point 4 and following points).

1) Go to mode\_prg and press [SEL] : the number of the month flashes.

Press [+] to select the month.

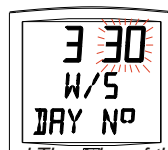
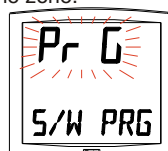
2) Press [SEL] : "Order" flashes. Order denotes the sequence number for the day of the week<sup>6</sup> (from 1 to 5 according to the months) (order always denotes the last week).

The value "F" gives the choice of a fixed date.

3) Having determined the Order, press [SEL] : the "number of the day" flashes.

– **Choice of a day of the week** (Order from 1 to 7) : press [+] and select one of the values between 1 (Monday) and 7 (Sunday).

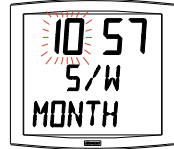
– **Choice of a fixed date** (Order = F) : press [+] and select a value



(6) Example of Order calculation : the second Monday of the month and the second Thursday of the month will each have an Order of "2". While the last Tuesday in June has an Order of "5" since there are no more than 5 weeks in a month.

between 1 and the last day of the chosen month<sup>7</sup>.

4) Press [SEL] : the number of the month flashes. Give the start of the winter period. Press [+] to select the month. Then continue as described in points 2 and 3 to set the start of the summer period.



#### 7. Countdown "Event" in days

Select the value "EV" using the [+] button and validate with [SEL] (see page 12).

a) Select the date of the event to be counted down to :

Begin with the year with [+] from 00 (2000) to 99 (2099) and validate with [SEL].



Then proceed in the same way for the month and the day.

b) Determine with [+] the display mode :

*FIX* for a fixed display,

*ALT* to programme an alternating display of number of days and date,

*ALT PRG* to programme an alternating display of number of days and a programmed message.

Validate with [SEL].



If the option *ALT PRG* is selected : enter the text you want displayed.

A) the first character is selected with the [+] button and validate with [SEL].

B) proceed in the same way for the subsequent characters. When the last one is entered, validate with [Sel].

Validating it will return display to time mode (point 5 in the "user : configuration " section (page 12)).



Note : once the date of the event has passed, that is D + 1, the countdown is deactivated and the date appears as a fixed display.

#### 8. The "World" option enables the display on the third line of the name of the city.

- When the World sub-menu is displayed,

choose between Paris, London, Tokyo, New York, Sydney or PRG (to enter your city or town).

- If you validate one of the five cities, you will return to Time mode (point 5 in the "User : Configuration" section (page 12)).



(7) The last day is either 28, 30 or 31 depending on the month (28 is imposed for the month of February whatever the year).



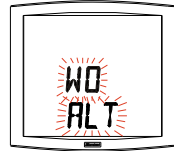
- If validating PRG. Enter the name of the city or site, you are allowed up to seven characters.

a) the first character is chosen by pressing [+] and validating it with [SEL].

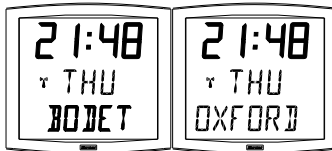


b) proceed in the same way for the subsequent characters. When the last character has been chosen, validating it with [SEL].

-determinate the display mode by pressing key + : either FIX to display a fixed text or ALT to alternate text and date. Validation will return you to Time mode (point 5 in the “User : Configuration” section (page 12)).



Examples of display :



## **VI - PRINCIPLE OF TIME SETTING**

### **6.1 Mobaline receiver model**

1. On the initial powering up, the time is initialised at 00h00mn00ss on 01/01/2000 over a period of 8-10 seconds.  
After a powering up, a time setting, a reset or a new configuration, the clock search to be synchronised. Since 3 consecutives correct messages have been received, it set up its time base to the correct time.
  
2. After a time setting modification on the master clock, the Mobaline interface is activated.

## 6.2 Annex for time difference

Choose the reference country for the summer/winter time changeovers, as well as the time difference, according to the city in which you wish to display the local time. If the time is set manually, do not take the time difference into account.

CITY	Zone	Reference zone	Time difference / GMT
LOS ANGELES	USAP	United States / Canada	-08
MEXICO	USAC	United States / Canada	-06
CHICAGO	USAC	United States / Canada	-06
NEW YORK, TORONTO	USAE	United States / Canada	-05
BUENOS AIRES	GMT	No Change	-03
RIO DE JANEIRO	PRG	Programmable Mode	-03
LONDON	EU_1	Europe	00
PARIS (*)	EUR	Europe	+01
HELSINKI, ATHENS	EAST	Europe	+02
JOHANNESBURG	GMT	No Change	+02
MOSCOW	EAST	Europe	+03
SINGAPORE (**)	GMT	No Change	+08
TOKYO, SÉOUL	GMT	No Change	+09
SYDNEY	AUS	Programmable Mode	+10
WELLINGTON	PRG	Programmable Mode	+12
PARAGUAY	PRG	Fixed Date ( every year)	-04
TEHERAN	PRG	Fixed Date ( every year)	+3.30
BOMBAY	GMT	No Change	+5.30

(\*) Paris and the following cities: Frankfurt, Madrid, Stockholm, Oslo, Zurich, Milan, Amsterdam, etc.

(\*\*) SINGAPORE, and the following cities: Taipei, Bangkok, Hong-Kong, Kuala Lumpur, Beijing, etc.

## VII - TECHNICIAN MENU

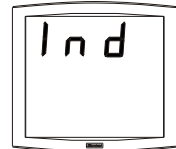
Access to the technician menu is via the two push buttons [SELECT] and [+] located on the back of the clock. The [SELECT] button is above the [+] button.

Proceed in two stages.

1. Press the [SELECT] button, and while holding it down, press [+] for more than 3 seconds to go initially to Configuration menu.



2. Press the [SELECT] button, and while holding it down, press [+] for more than 7 seconds to go to Technician menu. The programme version for the clock is displayed.



3. Press the [SELECT] button to display the menu for the type of synchro. The [+] button enables you to choose between *Ind* and *Sync* (if the synchro card is connected).

*Ind* : independent mode (Mobaline card is deactivated).

*Sync* : activation of the Mobaline card.



4. Press [SELECT], according to the clock's option and the previous selection :

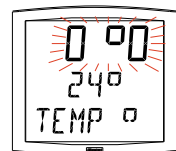
*Ind* : the programme of the clock go directly to the step "Test display".

*Sync (Mobaline)* : The Radio Reception menu is displayed. The radio pictogram flashes to indicate that the search is under way. The display shows the construction of the time message as and when the data arrives.



5. Press the [SELECT] button. Adjusting the temperature offset.

Variation, using the [+] button between  $-9.5^{\circ}\text{C}$  and  $+9.5^{\circ}\text{C}$  by increments of 0.5 (on leaving the factory, an adjustment can be made). The current temperature is displayed on the second line, taking the offset in consideration. The temperature is read every 10 seconds.



6. Press [SELECT] to obtain the Test display menu. This menu enables you to check that all the clock segments are giving the correct



display. On the Cristalys Date clock, the [+] button enables you to scroll the character table.

7. Press [SELECT]. The Correction menu appears. This enables you to correct the time base manually. On leaving the factory, the value of the offset is 0. The value of this offset may vary (using the [+]) between -9s99 and +9s99 per 10ms step (#0.12 ppm). The addition of this daily offset to the time base will be spread over 24 hours.



8. Press [SELECT] again to exit the technician menu and return to the time display.

**Reminder** : At any time, holding down the [SELECT] button, then pressing the [+] button quickly, goes to normal display mode and exits the configuration menu.



If no buttons are pressed for 10 minutes, the clock returns automatically to time display mode.

**VIII - WHAT TO DO IF...? ...CHECK.**

WHAT TO DO IF...?	... CHECK.
<ul style="list-style-type: none"> <li>■ The clock does not display the day of the week but a number.</li> </ul>	<ul style="list-style-type: none"> <li>■ The clock is programmed in week number or day number display mode (reread the note on page 12, § 5).</li> </ul>
<ul style="list-style-type: none"> <li>■ The clock display does not go beyond 12 hrs.</li> </ul>	<ul style="list-style-type: none"> <li>■ The clock is programmed in 12 hr instead of 24 hr mode (reread the note on page 11, § 2).</li> </ul>
<ul style="list-style-type: none"> <li>■ The time synchronisation of the clock is correct (the radio pictogram is on fixed display), but the time change has not taken place, the date or the time is not correct.</li> </ul>	<ul style="list-style-type: none"> <li>■ Check in time change mode that the clock is correctly programmed (reread the note on page 13, § 6).</li> </ul>
<ul style="list-style-type: none"> <li>■ The display has disappeared, only the 2 dots are flashing.</li> </ul>	<ul style="list-style-type: none"> <li>■ You are in “Eco” mode between 11pm and 6 am.</li> </ul>
<ul style="list-style-type: none"> <li>■ No display.</li> </ul>	<ul style="list-style-type: none"> <li>■ Check that the Mobaline signal is correctly connected.</li> </ul>

## IX - TECHNICAL FEATURES

The Cristalys Date clock complies with electromagnetic compatibility directive 89/336/EEC. It is intended for a residential or commercial environment. It complies with the European standards in force.

Power supply : 6V to 24 V AC or DC, 10 mA maximum.

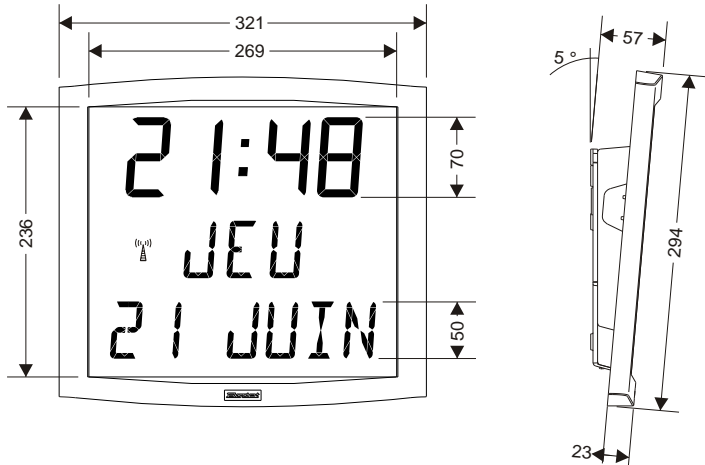
Operating temperatures : from 0 °C to +50 °C.

Humidity : 80 % at 40 °C

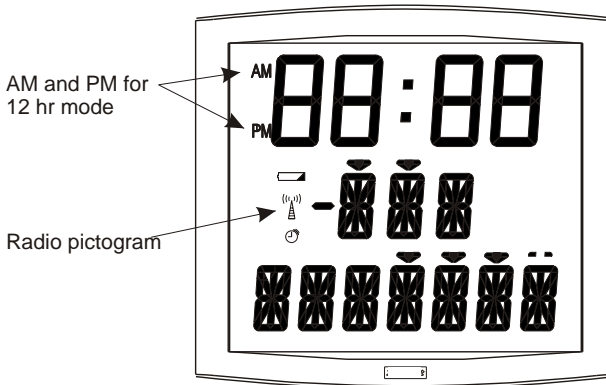
Protection : IP 40

Weight : 1,4 Kg

**Dimensions :**



**Display :**



# Inhaltsverzeichnis

ENGLISH. . . . .	3
------------------	---


DEUTSCH . . . . .	25
-------------------	----

I - VORWEG - ÜBERPRÜFUNG . . . . .	25
1.1 Auspacken der Uhr. . . . .	25
1.2 Reinigung . . . . .	25
1.3 Speichern der Daten . . . . .	25
II - VORSTELLUNG DER <i>CRISTALYS</i> UHR . . . . .	26
III - INBETRIEBNAHME - INSTALLATION . . . . .	27
3.1 Anschluß an ein Mobaline-Verteilungsnetz . . . . .	27
3.2 Installation . . . . .	27
IV - UHRZEIT EINSTELLUNG MENÜ . . . . .	28
4.2 Einstellung der Uhrzeit und des Datums mit dem unabhängigen Modus 28	
V - KONFIGURATION MENÜ . . . . .	30
Konfigurationsmenü . . . . .	32
VI - UHRZEITEINSTELLUNGSPRINZIP . . . . .	39
6.2 Anhang für die Zeitunterschiede. . . . .	40
VII - TECHNIKER MENÜ . . . . .	41
VIII - WAS TUN, WENN...? ...PRÜFEN. . . . .	43
IX - TECHNISCHE DATEN . . . . .	44



# I - VORWEG - ÜBERPRÜFUNG

Wir danken Ihnen sehr, eine Cristalys Uhr ausgewählt zu haben. Dieses Produkt war dem Qualitätsstandard ISO9001 entsprechend für Ihre Befriedigung sorgfältig entwickelt. Wir empfehlen Ihnen dieses Handbuch aufmerksam zu lesen, bevor Sie die Uhr bedienen. Die

Symbole  weisen Sie auf die wesentlichen Anmerkungen hin. Bewahren Sie bitte dieses Handbuch während der ganzen Lebensdauer Ihrer Uhr auf. Sie werden sich darauf beziehen, wenn nötig.

## 1.1 Auspacken der Uhr

Packen Sie bitte sorgfältig die Uhr aus und prüfen Sie den Inhalt der Packung. Diese soll die folgenden Elemente einschließen :

- Die Cristalys Date Uhr und einen Wandträger (an die Uhr angeklippt),
- Die Befestigungselemente (2 Schrauben + 2 Dübeln),
- Ein Säuberungsetui
- Dieses Handbuch,
- Option: einen Tischträger.

**Anmerkung** : Bei dem Auspacken können Segmente der Uhr aktiviert sein. Es ist kein Fehler.

**Jeder Gebrauch, der mit der vorliegenden Anleitung nicht konform ist, kann unwiederbringliche Schäden an der Uhr verursachen und hat die Annullierung der Garantie zur Folge.**

## 1.2 Reinigung

Ein antistatisches Produkt, ähnlich dem verwenden, das sich in dem Säuberungsetui befindet. Niemals Alkohol, Azeton oder andere Lösungsmittel verwenden, die das Gehäuse oder die Scheibe Ihrer Uhr beschädigen könnten.

## 1.3 Speichern der Daten

Die Gestaltungsparameter sind permanent in der Uhr gespeichert.

## II - VORSTELLUNG DER CRISTALYS UHR

Die *Cristalys Date* Uhr ist eine Uhr für den Innenbereich.

Sie zeigt die Stunden (12 od 24 Modus), die Minuten und das Datum an.

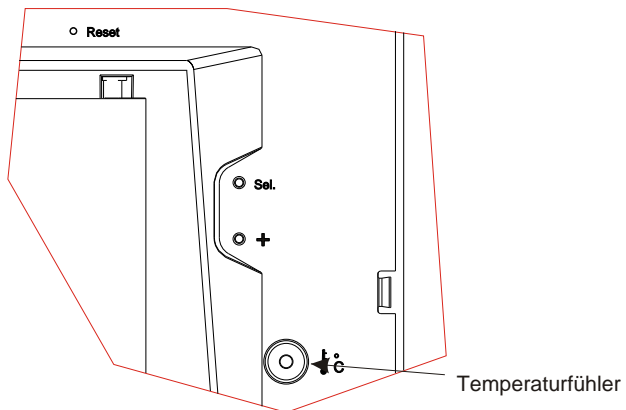
Sommer-Winterzeitumstellungen werden automatisch verwaltet. Im ECO Modus ist das Display in der Nacht von 23:00 bis 6:00 ausgeschaltet.

Sie hat drei Einstellungsmenüs :

- **Uhrzeiteinstellungsmenü** ;
- **Konfigurationsmenü.**
- **Technisches Menü**, das für das Wartungspersonal bestimmt ist.

Die Einstellungen werden mit Hilfe der zwei Tasten [Sel] und [+] (an der Rückseite der Uhr) geführt.

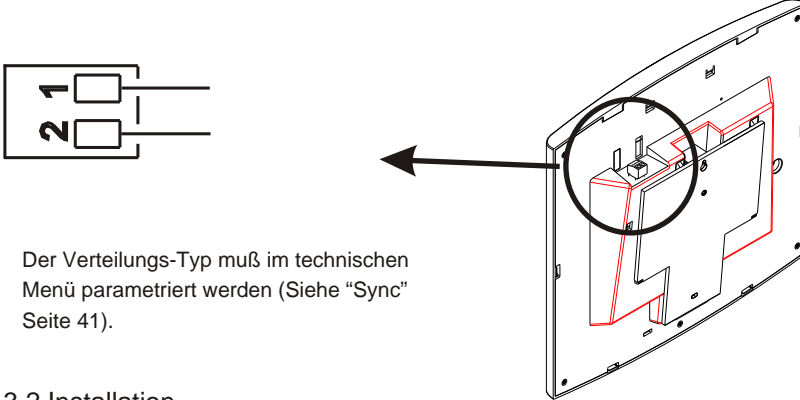
Abb. 1



### III - INBETRIEBNAHME - INSTALLATION

#### 3.1 Anschluß an ein Mobaline-Verteilungsnetz

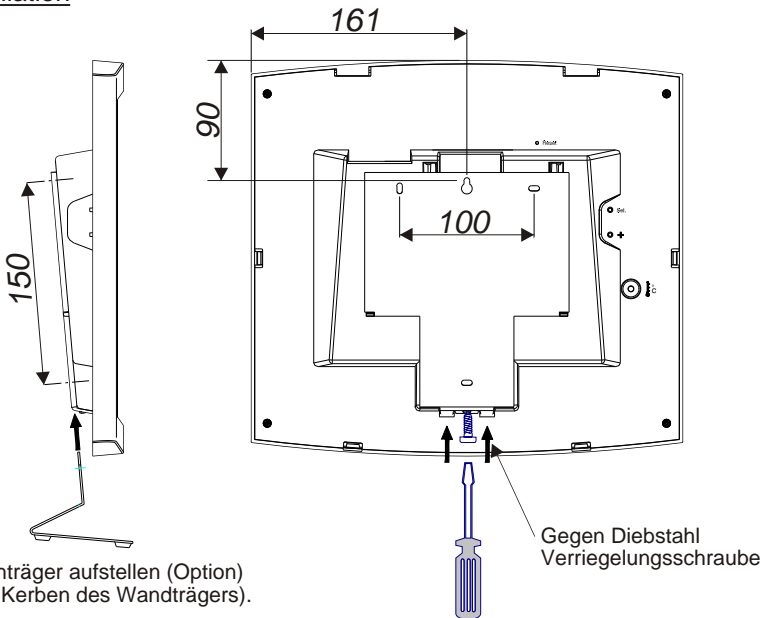
Die Crystalys Mobaline Empfängeruhren werden von dem Mobaline Signal synchronisiert.



Der Verteilungs-Typ muß im technischen Menü parametrieren werden (Siehe "Sync" Seite 41).

#### 3.2 Installation

Abb. 2



Den Tischträger aufstellen (Option)  
(In den 2 Kerben des Wandträgers).

- Die Stelle auswählen, wo die Uhr installiert sein wird. Für die Funkuhr prüfen, dass der Funkempfang korrekt ist. Die Nebenuhr wird in einer Stelle ohne elektrische Parasiten (Kathodenstrahlröhre, Umspanner, ...) installiert. Die Uhr nicht direkt an einer Metallwand oder Stahlbeton t befestigen.
- Den Wandträger mit den Dübeln und Schrauben befestigen.

- Die Uhr auf ihren Träger klippen und sie mit der gegen Diebstahl Verriegelungsschraube blockieren (siehe Abb.2).
- Die Schutzfolie der Uhrenfassade entfernen und mit einem antistatischen Tuch säubern.

**Anmerkung** : Die Uhr kann auf einen Tischträger installiert sein (in Option), siehe Abb. 2 Vorseite.

#### **Installation auf einen Träger :**

- Die Cristalys-Uhren können auf verschiedene Trägerstypen installiert sein (i.e ref. 938901, 938907 und 938908). Siehe die mit dem Träger gelieferten Installationsanweisungen.

## IV - UHRZEIT EINSTELLUNG MENÜ

### 4.1 Mobaline Empfängeruhr

Nachdem die Empfängeruhr an die Mobaline Linie angeschlossen wird, zeigt sie nichts während 8-10 Sekunden und dann 0h00 an. Das "Funk" Piktogramm blinkt jede Sekunde.

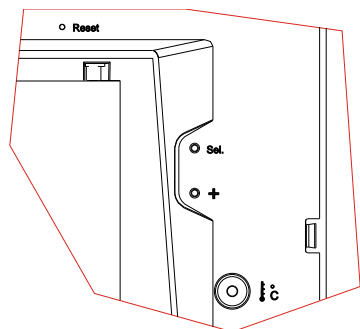
Die Mobaline Empfängeruhr stellt die Uhrzeit automatisch nach 4-5 Minuten ein und das "Funk" Piktogramm wird fest angezeigt.

Nach einem Reset, Zeit- oder Konfigurierungsänderung sucht die Uhr aufs neue nach dem Mobaline Signal.

Bemerkung : Siehe das Kapitel "Technisches Menü", Seite 41 für die Parametrierung der Zeitsynchronisation (Sync).

### 4.2 Einstellung der Uhrzeit und des Datums mit dem unabhängigen Modus

Mit Hilfe der Taste [Sel] können Sie in die verschiedenen Menüs gehen. Die Taste [+] ermöglicht das Inkrementieren der Werte (Minuten, Stunden, Tage...) mit schnellem Ablauf bei längerem Druck. Bei jedem Druck auf die Taste [Sel] ist die blinkende Option bestätigt.



Um die Uhr einzustellen, die folgenden Schritte folgen :

1. a Bei der Einfügung der Batterien und bei der ersten Einschaltung sehen Sie die Uhrzeit um 00:00Mn00Ss und das Datum am 01/01/2000 an. Die Taste [Sel] 2 Sekunden lang drücken: Die Stunde blinkt auf.  
b Die Taste [+] bis zur gewünschten Stunde drücken (Die Anzeige der Stunden berücksichtigt den12/24 Modus, siehe Absatz 2 Seite 32).



2. a Die Taste [Sel] drücken, um die Stunde zu bestätigen : Minuten blinken auf.  
b Die Taste [+] bis zur gewünschten Minute drücken. Um die Uhr auf die Sekunde genau zu synchronisieren, die laufende Minute +1 auswählen und beim Ton der Minute durch einen Druck auf [Sel] bestätigen ;



Der Sekundenzähler ist also auf Null gestellt und startet.

3. a Nachdem die Minuten bestätigt wurden: das Jahr blinkt auf.  
b Die Taste [+] bis zum laufenden Jahr drücken.



4. a a Die Taste [Sel] drücken, um das Jahr zu bestätigen : der Monat blinkt auf.  
b Die Taste [+] bis zum gewünschten Monat drücken.



5. a Die Taste [Sel] drücken, um den Monat zu bestätigen : der Tag blinkt auf.  
b Die Taste [+] bis zum gewünschten Tag drücken (Bei Scrolling der Tage, sind die ausgewählten Monat und Jahr (Schaltjahr) berücksichtigt.).

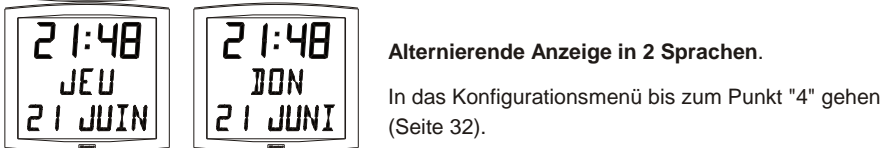
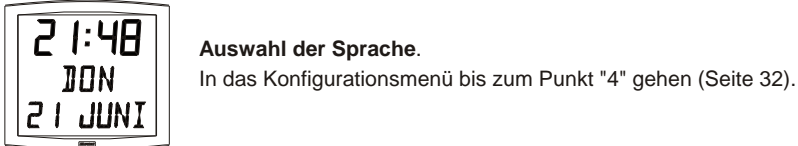
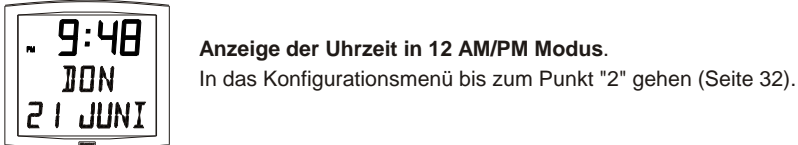
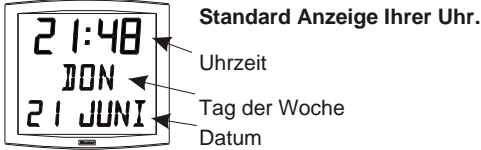


- 6.a Die Taste [Sel] drücken, um die Einstellung der Uhrzeit zu beenden.

**Anmerkung :** Es ist jederzeit möglich, das Menü zu verlassen. Es genügt, auf die Tasten [Sel] und [+] gleichzeitig zu drücken. Dann beide Tasten wiederum loslassen. Nach einer Periode von 10 Minuten ohne Tastendruck kehrt die Uhr zum Modus Normalanzeige zurück.

## V - KONFIGURATION MENÜ

Mit diesem Menü können Sie die verschiedenen Modi auswählen : *12/24, Eco, Anzeigetyp, Sommer-Winterzeitzone und Zeitunterschied*. Mit den verschiedenen Sprachen schlägt Ihnen Ihre Kalenderuhr mehr als 4 Millionen Möglichkeiten von Anzeige vor. Wir stellen Ihnen die einfachen Funktionen vor. Wenn Sie sie verbinden, können Sie alle diese Möglichkeiten wieder finden. Um die Uhr zu programmieren, die Anzeigeoption weiter unten auswählen. 32.



**Zentrale Anzeige :** In das Konfigurationsmenü bis zum Punkt "5" gehen (Seite 33).

**Sekunden**



**Temperatur**



**Wochentag**



**Nummer des Tages des Jahres**



**Wochennummer**



### Alternierende Anzeige von 2 Funktionen



Um die Anzeige von 2 Funktionen zu alternieren, bis zum Punkt "4" gehen (Seite 32).

Nur eine Alternierende Anzeige ist möglich. Sie werden also die Informationen in 2 verschiedenen Sprachen alternierend nicht anzeigen können. Die alternierende Anzeige der Funktionen ist jedoch für

die ausgewählte Sprache mit den Optionen (Datum "DT", Ereignis "EV" oder Welt "WO") vereinbar.

Die Option auswählen und sie bestätigen (sonst, wählen Sie "-").

Die Option Alternierende Anzeige "Alt" auswählen und sie bestätigen.

### Die untere Anzeige :



#### Numerisches Datum.

In das Konfigurationsmenü bis zum Punkt "4" gehen (Seite 32).

Die erste Sprache auswählen und sie bestätigen, dann die "DT" Option auswählen und sie bestätigen.



#### Abzählung einer vorgewählten Tageszahl.

In das Konfigurationsmenü bis zum Punkt "4" gehen (Seite 32).

Die erste Sprache auswählen und sie bestätigen, dann die "EV" Option auswählen und sie bestätigen.



Das Datum des Ereignisses (Jahr, Monat, Tag) auswählen.

Den Anzeigemodus auswählen :

- Feststehend : *FIX* bestätigen,
- Alternierend mit dem Datum : *ALT* bestätigen,
- Alternierend mit einer vorprogrammierten Meldung : *ALT PRG* bestätigen,

**Anmerkung** : Wenn die Abzählung beendet ist, läßt sich das Datum wieder anzeigen.



#### Weltuhr.

Um die Stadtnamen anzuzeigen, in das Konfigurationsmenü bis zum Punkt "4" gehen (Seite 32).

Die erste Sprache auswählen und sie bestätigen, dann die Option "WO" auswählen und sie bestätigen.

Die Stadt auswählen und sie bestätigen.

Den Anzeigemodus auswählen : Feststehend oder alternierend mit dem Datum.

## Konfigurationsmenü

1. Um den **Konfigurationsmodus**, auszuwählen, die Tasten [Sel] und [+] mindestens 3 Sekunden lang gleichzeitig drücken.

2. Das **12/24 Menü** ist angezeigt. Die Taste [+] drücken, um zwischen dem "12" Modus (angelsächsische Anzeige der Stunden AM/PM von 1:00 bis 12:00.) und dem "24" Modus (Anzeige von 0:00 bis 23:00) auszuwählen. Durch einen Druck auf die Taste [Sel] bestätigen.



3. Das **Sparmenü** zeigt sich "Eco" oder "nor" an. Die Taste [+] drücken, um den Normal- oder Sparmodus auszuwählen. Der Sparmodus löscht die Anzeige der Uhrzeit zwischen 23:00 und 6:00 (Diese Dauer kann nicht eingerichtet sein) aus. Nur die 2 Punkte blinken auf. Sie sparen bis zu 20% der Ladung der Batterien.



Durch einen Druck auf die Taste [Sel] bestätigen.

4. Das **Anzeige- Menü** der Sprache erscheint. Dieses Menü definiert die Informationen, die angezeigt werden :

■ - Die Sprache der Anzeige, wählen Sie zwischen :

- |                   |                     |                |
|-------------------|---------------------|----------------|
| • F Französisch   | • NL Niederländisch | • HG Ungarisch |
| • GB Englisch     | • DK Dänisch        | • RU Russisch  |
| • D Deutsch       | • N Norwegisch      | • HR Croatisch |
| • SP Spanisch     | • S Schwedisch      | • TR Türkisch  |
| • I Italienisch   | • FI Finnisch       | • CA Catalan   |
| • P Portugiesisch | • PL Polnisch       | • BA Basque    |

■ Und dann, nach Bestätigung, wählen Sie eine zweite alternierende Anzeigesprache aus oder :

- "--", keine zweite Sprache.
- "DT", Anzeige des Datums in Zahlen Format (z.B.: 21-6-01).
- "WO" Welt Funktion, Anzeige des Stadtnamen auf der unteren Anzeige. Sie können zwischen 5 Städten (Paris, London, Tokyo, New-York, Sydney) auswählen oder wählen Sie den PRG Modus aus, um Städte- oder Ortsnamen einzugeben (7 Zeichen am höchstens).
- "EV", Anzeige einer Abzählung einer vorgewählten Tageszahl (z.B.: T -194 Tage vor dem Übergang zu Euro).

4.a **Das Untermenü Sprache1** ist angezeigt<sup>8</sup>.

Die Anzeigesprache blinkt auf. Die Sprache mit Hilfe der Taste [+]



(8)Anmerkung : Es ist jederzeit möglich, das Menü zu verlassen. Es genügt, auf die Tasten [sel] und [+] gleichzeitig zu drücken. Dann beide Tasten wiederum loslassen



auswählen und sie durch einen Druck auf die Taste [Sel] bestätigen.

**4.b Das Untermenü Sprache2 zeigt sich an.**

Mit Hilfe der Taste [+] zwischen den verschiedenen Optionen auswählen :

“-”, um nur die erste Sprache zu bestätigen,

Die Anzeige einer zweiten Sprache alternierend mit der ersten ausgewählten Sprache. Durch einen Druck auf die Taste [Sel] bestätigen.

“DT”, diese Option ermöglicht die Anzeige des Datums auf der unteren Anzeige der Uhr. Durch einen Druck auf die Taste [Sel] bestätigen.

“WO” Welt Funktion, diese Option ermöglicht die Anzeige eines Stadtnamen auf der unteren Anzeige. Durch einen Druck auf die Taste [Sel] bestätigen.

“EV”, die Anzeige einer Abzählung einer vorgewählten Tageszahl. Bestätigen und bis zum Punkt 7 gehen (Seite 37), um die Programmierung zu folgen.

**5.a Nach der Bestätigung einer Auswahl , erscheint das Untermenü “Zentrale In :**

Dieses Menü definiert die Information, die auf der zentralen Anzeige erscheinen wird. Mit Hilfe der Taste [+] wählen Sie zwischen :

Anzeige des Wochentages :

Anzeige der Nummer des Tages :

Anzeige der Nummer der Woche :



Anzeige der Sekunden :



Anzeige der Temperatur in Grad oder Fahrenheit<sup>9</sup> (beschränkt auf 99°) :

Durch einen Druck auf die Taste [Sel] bestätigen.



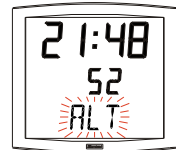
**5.b** Das Untermenü *Anzeige* erscheint :

Für eine feststehende Anzeige, *FIX* mit Hilfe der Taste [+] auswählen.



Für eine alternierende Anzeige, *ALT* mit Hilfe der Taste [+] auswählen: die vorgewählte Anzeige wird alternierend mit dem Wochentag angezeigt.

Durch einen Druck auf die Taste [Sel] bestätigen.



**6.a** Das Menü *Zeit Modus* erscheint. Die Zone, in der die Uhr sich befindet, auswählen (um die Sommer- Winterzeitumstellungen automatisch zu verwalten) oder den "Zeitunterschied" im Vergleich zur Funkuhrzeit hinweisen.

Wenn es eine Empfangsuhr Mobaline Impulse Empfangsuhr ist, de angezeigte Uhrzeit entspricht der empfangenen Uhrzeit und man hat keinen Zugang zum Menü.

**b** Die Taste [+] drücken und die vorgeschlagenen Zonen auswählen (8 vorprogrammierte Zonen und eine programmierbare Zone).

S > W = Basiszeit - 1 Stunde.

W > S = Basiszeit + 1 Stunde.

**Mitteuropa** "Eur\_Modus" (Frankreich, Deutschland, usw).

W > S = Am letzten Sonntag von März um 1 Uhr UTC (um 2 Uhr Lokalzeit).



(9) Fahrenheit Temperatur nur mit einigen Programmversionen verfügbar.

S > W = Am letzten Sonntag von Oktober um 1 Uh UTC (um 3 Uhr Lokalzeit)<sup>10</sup>.

**Westeuropa** "Eu-1\_Modus" (Grob Britannien, Portugal, Irland).

W > S = Am letzten Sonntag von März um 1 Uhr UTC (1 Uhr Lokalzeit).

S > W = Am letzten Sonntag von Oktober um 1 Uhr UTC (um 2 Uhr Lokalzeit).



**Osteuropa** "East\_Modus" (Griechenland, Finnland, ...).

W > S = Am letzten Sonntag von März um 1 Uhr UTC (um 3 Uhr Lokalzeit).

S > W = Am letzten Sonntag von Oktober um 1 Uhr UTC (um 4 Uhr Lokalzeit).



**Osten Vereinigten Staaten** "Usae\_Modus" (New York, Toronto, usw).

W > S = Am ersten Sonntag von April um 2 Uhr Lokalzeit.

S > W = Am letzten Sonntag von Oktober um 2 Uhr Lokalzeit.



**Mittel vereinigten Staaten** "Usac\_Modus" (Chicago).

W > S = Am ersten Sonntag von April um 2 Uhr Lokalzeit.

S > W = Am letzten Sonntag von Oktober um 2 Uhr Lokalzeit.



**Montain vereinigten Staaten** "Usam\_Modus" (Denver).

W > S = Am ersten Sonntag von April um 2 Uhr Lokalzeit.

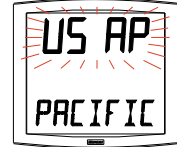
S > W = Am letzten Sonntag von Oktober um 2 Uhr Lokalzeit.



**Pacific vereinigten Staaten** "Usap\_Modus" (Los Angeles).

W > S = Am ersten Sonntag von April um 2 Uhr Lokalzeit.

S > W = Am letzten Sonntag von Oktober um 2 Uhr Lokalzeit.



**Australien** "Aus\_Modus" (Sydney).

W > S = Am letzten Sonntag von Oktober um 2 Uhr Lokalzeit.

S > W = Am letzten Sonntag von März um 3 Uhr Lokalzeit.



---

(10) UTC = Universal Time Code entspricht dem Meridian von Greenwich.

### Keine Umstellung "Gmt\_Modus".

Keine Sommer-/Winterzeitumstellung. Für die Funkuhren sollen Sie die Zone programmieren. Die GMT Funktion zwingt einen Unterschied zwischen der empfangenen Uhrzeit in codierter Zeit und der angezeigten Uhr.

Diese Option mit Hilfe der Taste [Sel] bestätigen.



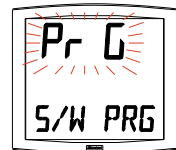
Die Einstellung des Unterschieds wird durch einen Druck auf die Taste [+] geführt. Der Wert auszuwählen findet sich zwischen -12:30 und +12:30 mit Schritten von 0:30. Angezeigte Uhrzeit = GMT Uhr + oder - x Stunden.



### Programmierbare Umstellung "Prg\_Modus"

Mit diesem Menü können Sie Sommer-/Winterzeitumstellungsdaten einrichten.

Den Anfang der Sommerperiode (Punkte 1 bis 3) und den Anfang der Winterperiode (Punkt 4, usw...) definieren.



1) Den Prg\_Modus auswählen und die Taste [Sel] drücken : die Nummer des Monats blinkt auf. Die Taste [+] drücken, um den Monat zu wählen.



2) Die Taste [Sel] drücken : "Reihe" blinkt auf : es ist die Nummer des Tages der Woche in dem Monat (von 1 bis 5 den Monaten entsprechend) (Reihe 5 zeigt immer die letzte Woche)<sup>11</sup>. Der "F" Wert weist die Auswahl eines festen Datums hin.



3) Nachdem die Reihe definiert wurde, die Taste [Sel] drücken : Die "Tagesnummer" blinkt auf.

– **Auswahl eines Wochentages** (Reihe von 1 bis 7) : Die Taste [+] drücken und eine der Werte zwischen 1 (Montag) und 7 (Sonntag) auswählen.



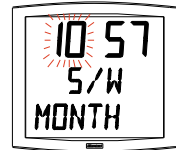
– **Auswahl eines festen Datums** (Reihe = F) : Die Taste [+] drücken und einen Wert zwischen 1 und dem letzten Tag des



(11) Beispiel von Berechnung der Reihe : Der zweite Montag des Monats oder der zweite Donnerstag des Monats haben eine Reihe von "2". Aber der letzte Dienstag von Juni hat eine Reihe von "5", wenn es mehr als 4 Wochen in einem Monat gibt.

ausgewählten Monats auswählen<sup>12</sup>.

4) Die Taste [Sel] drücken: Die Nummer des Monats blinkt auf. Den Anfang der Winterperiode hinweisen. Die Taste [+] drücken, um den Monat auszuwählen. Die Punkte 2 und 3 wiederholen, um den Anfang der Sommerperiode einzurichten.



5) Dieses Menü funktioniert nur für die Funkuhren. Nachdem Datum vom Anfang der Winterperiode definiert wurde, die Taste [Sel] drücken. Der Zeitunterschied im Vergleich zur UTC Uhr blinkt auf. Der Unterschied wird durch einen Druck auf die Taste [+] eingestellt. Der Wert zu wählen steht zwischen -12:30 und +12:30 mit Schritten von 0:30.



Die Sommer-/Winterzeit oder Winter-/Sommerzeitumstellung wird am ausgewählten Tag um 2 Uhr Lokalzeit erledigt.

#### 7. Abzählung einer vorgewählten Tageszahl.

Den Wert "EV" mit Hilfe der Taste [+] auswählen und sie durch einen Druck auf die Taste [Sel] bestätigen (siehe Seite 33).



a) Das Datum auswählen :

Das Jahr mit Hilfe der Taste [+] von 00 (2000) bis 99 (2099) zuerst auswählen und es mit Hilfe der Taste [Sel] bestätigen. Das selbe Verfahren für den Monat und den Tag machen.



b) Mit Hilfe der Taste [+] den Anzeigemodus auswählen :

- FIX : eine feststehende Anzeige,
- ALT : um den Anzahl der Tage (T-n) alternierend mit dem Datum einzurichten,
- ALT PRG, um den Anzahl der Tage alternierend mit einer programmierten Meldung einzurichten.



Mit Hilfe der Taste [Sel] bestätigen.

- Wenn Bestätigung von ALT PRG : Den Text anzuzeigen eingeben (7 Zeichen am höchstens).

a) Das erste Zeichen ist mit Hilfe der Taste [+] und einer Bestätigung mit Hilfe der Taste [Sel] ausgewählt.

b) Das selbe Verfahren für die anderen Zeichen machen. Wenn das letzte Zeichen ausgewählt ist, mit Hilfe der Taste [Sel] bestätigen.



Nach der Bestätigung kehrt die Uhr zum Modus Normalanzeige zurück (Punkt 5 Absatz

(12)Der letzte Tag ist den 28, 30 oder 31 dem Monat entsprechend (28 für Februar).

"Benutzer : Konfiguration" (Seite 33)

**Anmerkung** : Wenn das Datum des Ereignisses vorbei ist, das heißt T + 1, verschwindet die Abzählung und das Datum wird feststehend angezeigt.

8. Die **"Welt"** Option ermöglicht die Anzeige der Stadtnamen auf der dritten Anzeige.

- Wenn das Weltuntermenü angezeigt ist, wählen Sie zwischen *Paris, London, Tokyo, New-York, Sydney* oder *PRG* (um den Namen einzugeben).

- Wenn Bestätigung von *PRG* : Den Stadt- oder Ortsnamen (7 Zeichen maximal) eingeben.

a) Das erste Zeichen ist mit Hilfe der Taste [+] und einer Bestätigung mit Hilfe der Taste [Sel] ausgewählt.

b) Das selbe Verfahren für die folgenden Zeichen machen. Wenn das erste Zeichen ausgewählt ist, durch einen Druck auf die Taste [Sel] bestätigen.

- Mit Hilfe der Taste [+] den Anzeige Modus auswählen : *FIX* feststehende Anzeige des Textes, *ALT* um den ausgewählten oder programmierten Text alternierend mit dem Datum anzuzeigen. Nach der Bestätigung kehrt die Uhr zum Modus Normalanzeige zurück (Punkt 5 Absatz " Benutzer : Konfiguration " (Seite 33)).

Beispiele von Anzeige :



## VI - UHRZEITEINSTELLUNGSPRINZIP

### 6.1 Empfängeruhr mit Mobaline Modul

1. Bei der ersten Inbetriebnahme sehen Sie nach 8-10 Sekunden die Uhrzeit 0h00Mn00Ss und das Datum 01/01/2000.

Die Uhr sucht die Synchronisation bei der Einschaltung, sowie nach jeder manueller Zeitänderung, einem Reset oder einer neuen Konfiguration der Uhr, sobald 3 korrekte Meldungen nacheinander empfangen worden sind, passt sich die Zeitbasis an.

2. Nach einer Zeitänderung an der Hauptuhr führt das Mobaline Modul automatisch einem Reset der Empfängeruhr durch.

## 6.2 Anhang für die Zeitunterschiede.

Wählen Sie das bezügliche Land für die Sommer-/Winterzeitumstellungen und den Zeitunterschied je nach der Stadt, deren Ortszeit Sie anzeigen möchten, aus.

STADT	Zone	Bezügliches Land	Zeitunterschied/ GMTUhr
LOS ANGELES	USAP	USA /Kanada	-08
MEXIKO	USAC	USA / Kanada	-06
CHICAGO	USAC	USA / Kanada	-06
NEW YORK, TORONTO	USAE	USA / Kanada	-05
BUENOS AIRES	GMT	Keine Umstellung	-03
RIO DE JANEIRO	PRG	Programmierbar Modus	-03
LONDON	EU_1	Europa	00
PARIS (*)	EUR	Europa	+01
HELSINKI, ATHEN	EAST	Europa	+02
JOHANNESBURG	GMT	Keine Umstellung	+02
MOSKAU	EAST	Europa	+03
SINGAPUR (**)	GMT	Keine Umstellung	+08
TOKIO, SEOUL	GMT	Keine Umstellung	+09
SYDNEY	AUS	Programmierbar Modus	+10
WELLINGTON	PRG	Programmierbar Modus	+12
PARAGUAY	PRG	Bestimmtes Datum ( jedes Jahr)	-04
TEHERAN	PRG	Bestimmtes Datum ( jedes Jahr)	+3.30
BOMBAY	GMT	Keine Umstellung	+5.30

(\*) Paris und die folgenden Städte : Frankfurt, Madrid, Stockholm, Oslo, Zürich, Mailand, Amsterdam, ...

(\*\*) SINGAPUR und die folgenden Städte : Taipeh, Bangkok, Hong-Kong, Kuala Lumpur, Beijin ...



## VII - TECHNIKER MENÜ

Um Zugang zum Techniker Menü zu haben, die zwei Tasten [SELECT] und [+] an der Rückseite der Uhr benutzen. Die Taste [SELECT] steht über der [+] Taste.

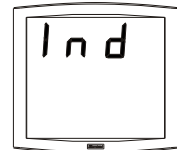
Die zwei folgenden Schritte folgen.

1. Die Tasten [SELECT] und [+] 3 Sekunden lang gleichzeitig drücken, um den Konfigurationsmodus zuerst auszuwählen.



2. Die Tasten [SELECT] und [+] 7 Sekunden lang gleichzeitig drücken, um den Techniker Modus dann auszuwählen. Die Version des Programms der Uhr erscheint.

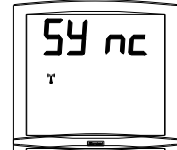
3. Die Taste [SELECT] drücken, um das Synchronisierungstypsamenü anzuzeigen. Die Taste [+] ermöglicht die Auswahl zwischen *Ind* und *Sync* (wenn die Synchro Karte integriert ist).



*Ind* : unabhängiges Modus (Das Mobaline Modul ist nicht aktiviert).

*Sync* : Das Mobaline Modul ist aktiviert.

4. Auf die Taste [SELECT] drücken, je nach dem Modell Ihrer Uhr und Ihrer Wahl :

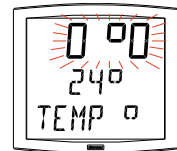


*Ind* : die Uhr gibt sofort die Testanzeige an.

*Sync (Mobatime)* : Das Funkpiktogramm blinkt während der Suche auf. Die Anzeige stellt die Zusammensetzung der Zeitmeldung im Kommen der Daten dar.



5. Die Taste [SELECT] drücken, um die Temperaturbasis, die in der Fabrik gemacht wurde, einzustellen. Die Einstellung wird mit der Taste [+] erledigt. Sie schwankt von -9,5°C bis +9,5°C mit Schritten von 0,5. Die gemessene Temperatur wird auf der zweiten Zeile erscheinen und berücksichtigt die Einstellung. Die Temperatur wird alle 10 Sekunden gelesen.



6. Die Taste [SELECT] drücken, um das Menü Test Anzeiger zu haben. Die Anzeige aller Segmente der Uhr mit diesem Menü prüfen. Auf der



Cristalys Date Uhr ist es möglich mit der Taste [+] die Zeichentabelle zu blättern.

7. Die Taste [SELECT] drücken. Das Korrektur Menü erscheint. Es ermöglicht die Basiszeit manuell einzustellen. Im Werk ist die Temperatur auf 0 eingestellt. Die Taste [+] drücken, um den Wert der Einstellung von -9s99 bis +9s99 mit Schritten von 10ms (#0.12ppm) zu schwanken. Die Einstellung der Temperaturbasis wird auf einer Periode von 24 Stunden durchgeführt.



8. Die Taste [SELECT] neu drücken, um das Techniker Menü zu verlassen. Die Uhr kehrt zum Modus Normalanzeige zurück.



**Anmerkung** : Zu jeder Zeit kann man indem man auf die Tasten [SELECT] drückt und dann gleichzeitig auf [+] drückt ins normale Anzeigemodus zurück und aus dem Konfigurationsmenü heraus.

Nach einer Periode von 5 Minuten ohne Tastendruck kehrt die Uhr zum Modus Normalanzeige zurück.

## VIII - WAS TUN, WENN...? ...PRÜFEN.

Was tun, wenn...?	... Prüfen.
<ul style="list-style-type: none"> <li>■ Die Uhr zeigt kein Datum aber eine Nummer an.</li> </ul>	<ul style="list-style-type: none"> <li>■ Die Uhr ist eingerichtet, um die Nummer der Woche anzuzeigen (siehe Seite 33, § 5).</li> </ul>
<ul style="list-style-type: none"> <li>■ Die Anzeige der Uhr überschreitet nicht 12:00.</li> </ul>	<ul style="list-style-type: none"> <li>■ Die Uhr ist in 12 Modus statt 24 Modus eingerichtet (siehe Seite 32, § 2).</li> </ul>
<ul style="list-style-type: none"> <li>■ Die Zeitsynchronisierung der Uhr ist korrekt (Das Funkpiktogramm ist fest) aber die Zeitumstellung wurde nicht erledigt, das Datum oder die Uhr sind nicht korrekt.</li> </ul>	<ul style="list-style-type: none"> <li>■ In dem Uhrzeitumstellungsmodus prüfen, dass die Uhr richtig eingerichtet ist (siehe Seite 12, § 6).</li> </ul>
<ul style="list-style-type: none"> <li>■ Die Anzeige ist ausgeschaltet. Nur die 2 Punkte blinken auf.</li> </ul>	<ul style="list-style-type: none"> <li>■ Der Sparmodus "Eco" löscht die Anzeige der Uhrzeit zwischen 23:00 und 6:00 aus.</li> </ul>
<ul style="list-style-type: none"> <li>■ Keine Anzeige.</li> </ul>	<ul style="list-style-type: none"> <li>■ Prüfen Sie daß das Mobaline Modul fehlerfrei angeschlossen ist.</li> </ul>

## IX - TECHNISCHE DATEN

Die *Cristalys Date* Uhr entspricht der europäischen Richtlinie über die elektromagnetische Kompatibilität 89/336/EG. Sie ist für eine kommerzielle oder Wohnumgebung geeignet. Sie entspricht den europäischen Normen.

Versorgung : Schwachstromversorgung von 6V bis 24V AC oder DC, 10 mA.

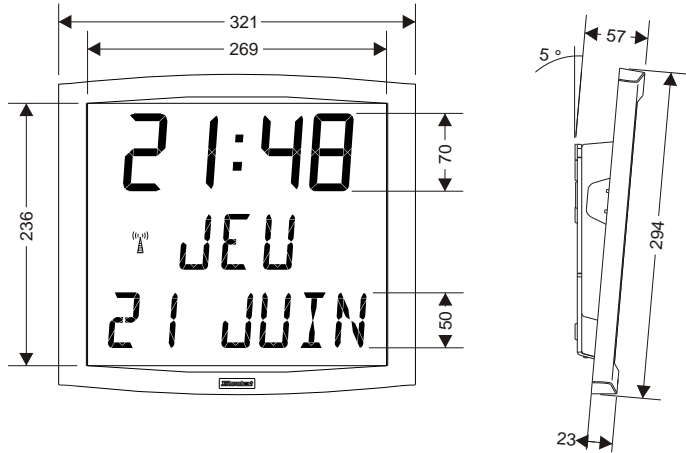
Betriebstemperatur : von 0 °C bis +50 °C.

Feuchtigkeit : 80 % bis 40 °C.

Schutzindiz : IP 40

Gewicht : 1,4 Kg

### Abmessungen :



### Anzeige :

